



FIERRO FUNDIDO.

**CATÁLOGO
DE PRODUCTOS**

Válvulas Eliminadoras, de Admisión y Expulsión de Aire

INTEGRAL

INTEGRAL

INTEGRAL

Tecnología
Hidráulica
INTEGRAL

Tecnología
Hidráulica
INTEGRAL

Tecnología
Hidráulica
INTEGRAL

Tecnología
Hidráulica
INTEGRAL



Admisión y expulsión de aire

Admisión y expulsión de aire

Eliminadora de aire



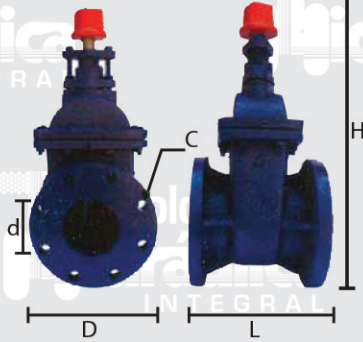
Tecnología
Hidráulica
INTEGRAL

Tecnología
Hidráulica
INTEGRAL

Tecnología
Hidráulica
INTEGRAL

Modelo		Diámetro	Orificio	Presión Máxima de Trabajo	A	B
Ae10	E10	1/2" 3/4" 1"	1/16"	1 - 150 PSI	4 5/16	5 3/16
Ae20	E20	2"	1/8" 1/16"	1 - 150 PSI 1 - 300 PSI	5 15/16	6 9/16
	ETB	1/2"	1/8" 1/16"	1 - 150 PSI	3 1/2	2 3/4
	ETA	1/2"	1/8" 1/16"	1 - 150 PSI	3 1/2	2 3/4

Válvula Resilente / Válvula Compuerta (Vástago Fijo)



Ø Nominal d		Altura H		Ø de la Brida D		Brida a Brida L		Ø de Barrenos C		No. de Barrenos	Peso
mm	plg	mm	plg	mm	plg	mm	plg	mm	plg	no.	kg
50.8	2"	276.2	10 ⁷ / ₈ "	152.4	6"	177.8	7"	120.6	4 ³ / ₄ "	4	12
63.5	2 ¹ / ₂ "	288.9	11 ³ / ₄ "	177.8	7"	190.5	7 ¹ / ₂ "	139.7	5 ¹ / ₂ "	4	18
76.2	3"	314.3	12 ³ / ₄ "	190.5	7 ¹ / ₂ "	203.2	8"	152.4	6"	4	22
101.6	4"	361.9	14 ¹ / ₄ "	228.6	9"	228.6	9"	190.5	7 ¹ / ₂ "	8	36
152.4	6"	466.7	18 ³ / ₈ "	279.6	11"	266.7	10 ¹ / ₂ "	241.3	9 ¹ / ₂ "	8	53
203.2	8"	558.8	22"	342.9	13 ¹ / ₂ "	292.1	11 ¹ / ₂ "	298.4	11 ³ / ₄ "	8	91
254.0	10"	650.8	25 ⁵ / ₈ "	406.4	16"	330.2	13"	361.9	14 ¹ / ₄ "	12	158
304.8	12"	733.4	28 ⁷ / ₈ "	482.6	19"	355.6	14"	431.8	17"	12	180

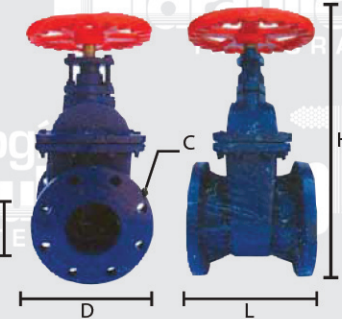


Válvula Resilente



Válvula de Compuerta

Ø Nominal d		Altura H		Ø de la Brida D		Brida a Brida L		Ø del Vástago V		Volante Opc.	Válvula
mm	plg	mm	plg	mm	plg	mm	plg	mm	plg	Peso Kg.	Peso kg
50.8	2"	279.4	11"	152.4	6"	177.8	7"	19.1	3/4"	1.7	14
63.5	2 ¹ / ₂ "	304.8	12"	177.8	7"	190.5	7 ¹ / ₂ "	19.1	3/4"	2.2	18
76.2	3"	355.6	14"	190.5	7 ¹ / ₂ "	203.2	8"	22.2	7/8"	2.5	22
101.6	4"	457.2	18"	228.6	9"	228.6	9"	25.4	1"	3.5	35
152.4	6"	533.4	21"	279.6	11"	266.7	10 ¹ / ₂ "	28.6	1 ¹ / ₄ "	5.0	66
203.2	8"	635.0	25"	342.9	13 ¹ / ₂ "	292.1	11 ¹ / ₂ "	31.8	1 ¹ / ₄ "	10.1	124
254.0	10"	787.4	31"	406.4	16"	330.2	13"	36.5	1 ⁷ / ₁₆ "	18.0	179
304.8	12"	850.9	33 ¹ / ₂ "	482.6	19"	355.6	14"	36.5	1 ⁷ / ₁₆ "	25.5	270
355.6	14"	990.6	39"	533.4	21"	381.0	15"	41.3	1 ⁵ / ₈ "	27.0	464
406.4	16"	1092.3	43"	596.9	23 ¹ / ₂ "	406.4	16"	44.5	1 ³ / ₄ "	29.0	610
457.2	18"	1219.2	48"	635.0	25"	431.8	17"	44.5	1 ³ / ₄ "	30.0	720
508.2	20"	1320.8	52"	698.5	27 ¹ / ₂ "	457.2	18"	50.8	2"	31.1	1000
609.9	24"	1524.0	60"	812.8	32"	508.0	20"	50.8	2"	57.0	1750
762.0	30"	1930.4	76"	984.24	38 ³ / ₄ "	609.6	24"	57.2	2 ¹ / ₄ "	75.0	2500



Válvula de Mariposa / Válvula de Retención (Check)

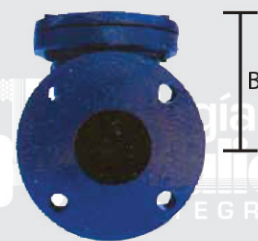


Medida Nominal	A	B	C	D	E	F	G	Plantilla de Barrenado de la Parte Superior			Peso kg
								Dist	No.		
2"	2.066	3.825	4.840	1.312	1.917	0.511	1.465	3.250	2	0.437	2.8
3"	3.011	4.937	5.375	1.312	2.468	0.511	1.465	3.250	2	0.437	3.5
4"	3.996	6.375	6.187	1.312	3.187	0.511	1.465	3.250	2	0.437	5.8
6"	5.728	8.625	7.562	1.312	4.312	0.511	1.465	3.250	2	0.437	8.3
8"	7.755	10.875	8.537	1.312	5.437	0.826	2.250	5.031	2	0.562	15.0
10"	9.724	13.187	10.468	1.312	6.593	0.826	2.250	5.031	2	0.562	20.0
11"	11.614	15.000	11.650	1.312	7.500	0.826	2.250	5.031	2	0.562	22.0



Válvula de Retención

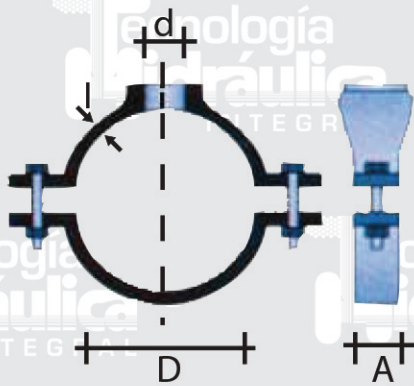
Diámetro A		Altura B		Largo C		Peso Aproximado
mm	plg	mm	plg	mm	plg	kg
50.8	2"	203.2	8"	190.5	7 1/2"	12
63.5	2 1/2"	215.9	8 1/2"	209.6	8 1/4"	18
76.2	3"	241.3	9 1/2"	225.4	8 7/8"	24
101.6	4"	292.1	11 1/2"	266.7	10 1/2"	44
152.4	6"	355.6	14"	342.9	13 1/2"	66
203.2	8"	495.3	19 1/2"	419.1	16 1/2"	140
254.0	10"	622.3	24 1/2"	501.7	19 3/4"	208
304.8	12"	698.5	27 1/2"	558.8	22"	285
355.6	14"	800.1	31 1/2"	660.4	26"	415
406.4	16"	831.9	32 3/4"	736.6	29"	585



Abrazaderas y Carretes



Abrazadera

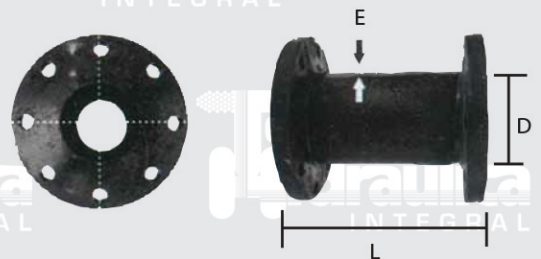


Diámetro Nominal D		Espesor de pared E	Cantidad Tornillos	Medida Tornillos L	Peso
mm	plg				
50.8	2"		2	3/8" X 3"	1.4
63.5	2 1/2"	Opcional	2	3/8" X 3"	1.9
76.2	3"	entre: 12.7 mm	2	3/8" X 3"	2.2
101.6	4"	entre: 19.1 mm 25.4 mm	2	3/8" X 3"	2.8
152.4	6"	entre: 1 1/2" 3 1/4"	2	3/8" X 3"	4.4
203.2	8"	entre: 1"	2	7/16" X 3 1/2"	6.0
254.0	10"		2	1/2" X 4"	7.5
304.8	12"	Opcional	2	1/2" X 4"	11.4
355.6	14"	entre: 12.7 mm	2	1/2" X 4"	23.0
406.4	16"	entre: 19.1 mm 25.4 mm	2	1/2" X 4 1/2"	24.0
457.2	18"	entre: 1 1/2" 3 1/4"	2	Especiales	27.0
508.0	20"	entre: 1" 1 1/4"	2	Especiales	28.8
609.9	24"		2		34.0

Diámetro Nominal D		Espesor de Pared E		Longitud en mm L		Peso Aprox. en Kgs.	
mm	plg	mm	plg	largos	cortos	largos	cortos
50.8	2"	11.1	7/16"	500	250	11	7
63.5	2 1/2"	11.1	7/16"	500	250	14	9
76.2	3"	11.1	7/16"	500	250	17	11
101.6	4"	12.7	1/2"	500	250	26	17
152.4	6"	14.3	9/16"	500	250	39	26
203.2	8"	15.9	5/8"	500	250	59	39
254.0	10"	19.1	3/4"	500	250	84	54
304.8	12"	20.6	13/16"	500	250	114	76
355.6	14"	22.2	7/8"	500	250	140	93
406.4	16"	25.4	1"	500	250	180	118
457.2	18"	27.0	1 1/16"	500	250	204	131
508.0	20"	28.6	1 1/8"	500	250	246	159
609.6	24"	31.8	1 1/4"	500	250	329	214
762.0	30"	36.5	1 7/16"	500	250	475	310
914.4	36"	41.3	1 5/8"	750	400	885	573



Carrete



Brida Roscada / Tapa Ciega

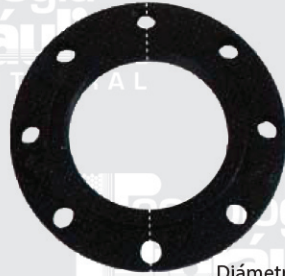
INTEGRAL

INTEGRAL

INTEGRAL



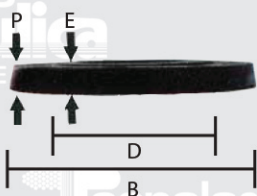
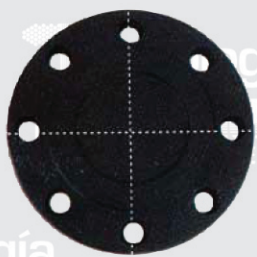
Brida Roscada



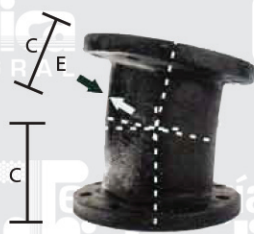
Tapa Ciega

Diámetro Nominal D		Peso
mm	plg	Kg.
50.8	2"	1.8
63.5	2 1/2"	3.0
76.2	3"	4.0
101.6	4"	4.6
152.4	6"	8.7
203.2	8"	10.4
254.0	10"	14.2
304.8	12"	21.0

Diámetro Nominal d		Diámetro de Brida D		Espesor Min. Brida E		Espesor de Pared P		Peso Aprox.
mm	plg	mm	plg	mm	plg	mm	plg	Kg
50.8	2"	152.4	6"	15.9	5/8"	14.3	9/16"	2.0
63.5	2 1/2"	177.8	7"	17.5	11/16"	15.9	5/8"	3.0
76.2	3"	190.5	7 1/2"	19.1	3/4"	17.5	11/16"	3.7
101.6	4"	228.6	9"	23.8	15/16"	22.2	7/8"	6.5
152.4	6"	279.4	11"	25.4	1"	23.8	15/16"	10.5
203.2	8"	342.9	13 1/2"	28.6	1 1/8"	27.0	1 1/16"	18.5
254.0	10"	406.4	16"	30.2	1 3/16"	28.6	1 1/8"	26.3
304.8	12"	482.6	19"	31.8	1 1/4"	20.6	13/16"	35.8
355.6	14"	533.4	21"	34.9	1 3/8"	22.2	7/8"	46.8
406.4	16"	596.9	23 1/2"	36.5	1 7/16"	25.4	1"	62.5
457.2	18"	635.0	25"	39.7	1 9/16"	27.0	1 1/16"	74.7
508.0	20"	698.5	27 1/2"	42.9	1 11/16"	28.6	1 1/8"	96.5
609.6	24"	812.8	32"	47.6	1 7/8"	31.8	1 1/4"	144.1
762.0	30"	984.3	38 3/4"	54.0	2 1/8"	36.5	1 7/16"	238.4
914.4	36"	1168.4	46"	60.3	2 3/8"	41.3	1 5/8"	373.4



Codos 11°, 22°, 45°, 90°



11°



22°



45°

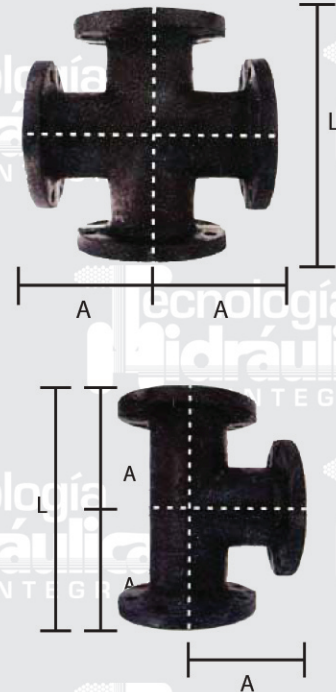


90°



Nominal d		Distancia C 11°, 22°, 45°		Distancia C 90°		Espesor de Pieza E		Peso 11°, 22°, 45°	Peso 90°
mm	plg	mm	plg	mm	plg	mm	plg	Kg	Kg
50.8	2"	63.5	2 1/2"	114.3	4 1/2"	11.1	7/16"	5	6
63.5	2 1/2"	76.2	3"	127.0	5"	11.1	7/16"	8	9
76.2	3"	76.2	3"	139.7	5 1/2"	11.1	7/16"	9	11
101.6	4"	101.6	4"	165.1	6 1/2"	12.7	1/2"	16	18
152.4	6"	127.0	5"	203.2	8"	14.3	9/16"	26	30
203.2	8"	139.7	5 1/2"	228.6	9"	15.9	5/8"	42	48
254.0	10"	165.1	6 1/2"	279.4	11"	19.1	3/4"	65	78
304.8	12"	190.5	7 1/2"	304.8	12"	20.6	13/16"	98	113
355.6	14"	190.5	7 1/2"	355.6	14"	22.2	7/8"	121	154
406.4	16"	203.2	8"	381.0	15"	25.4	1"	161	208
457.2	18"	215.9	8 1/2"	419.1	16 1/2"	27.0	1 1/16"	190	256
508.0	20"	241.3	9 1/2"	457.2	18"	28.6	1 1/8"	247	328
609.6	24"	279.4	11"	558.8	22"	31.8	1 1/4"	367	513
762.0	30"	381.0	15"	635.0	25"	36.5	1 7/16"	669	818
914.4	36"	457.2	18"	711.2	28"	41.3	1 5/8"	1068	1236

Cruces y Tees



Ø Nominal D x D		Distancias				Espesor de Pared				Peso Aprox	
		L		A		Ø Mayor		Ø Menor		Tees	Cruces
mm	plg	mm	plg	mm	plg	mm	plg	mm	plg	Kg	Kg
50.8 x 50.8	2" x 2"	114.3	4 1/2"	228.6	9"	11.1	7/16"	11.1	7/16"	10	12
63.5 x 50.8	2 1/2" x 2"	127.0	5"	254.0	10"	11.1	7/16"	11.1	7/16"	12	15
63.5 x 63.5	2 1/2" x 2 1/2"	127.0	5"	254.0	10"	11.1	7/16"	11.1	7/16"	13	17
76.2 x 50.8	3" x 2"	139.7	5 1/2"	279.4	11"	11.1	7/16"	11.1	7/16"	15	18
76.2 x 63.5	3" x 2 1/2"	139.7	5 1/2"	279.4	11"	11.1	7/16"	11.1	7/16"	16	19
76.2 x 76.2	3" x 3"	139.7	5 1/2"	279.4	11"	11.1	7/16"	11.1	7/16"	17	21
101.6 x 50.8	4" x 2"	165.1	6 1/2"	330.2	13"	12.7	1/2"	11.1	7/16"	23	26
101.6 x 63.5	4" x 2 1/2"	165.1	6 1/2"	330.2	13"	12.7	1/2"	11.1	7/16"	24	28
101.6 x 76.2	4" x 3"	165.1	6 1/2"	330.2	13"	12.7	1/2"	12.7	7/16"	25	29
101.6 x 101.6	4" x 4"	165.1	6 1/2"	330.2	13"	12.7	1/2"	11.1	7/16"	28	35
152.4 x 50.8	6" x 2"	203.2	8"	406.4	16"	14.3	9/16"	11.1	1/2"	37	40
152.4 x 63.5	6" x 2 1/2"	203.2	8"	406.4	16"	14.3	9/16"	11.1	7/16"	38	42
152.4 x 76.2	6" x 3"	203.2	8"	406.4	16"	14.3	9/16"	11.1	7/16"	39	43
152.4 x 101.6	6" x 4"	203.2	8"	406.4	16"	14.3	9/16"	12.7	1/2"	42	49
152.4 x 152.4	6" x 6"	203.2	8"	406.4	16"	14.3	9/16"	14.3	9/16"	45	57

Cruces y Tees

Ø Nominal D x D		Distancias				Espesor de Pared				Peso Aprox	
		L		A		Ø Mayor		Ø Menor		Tees	Cruces
mm	plg	mm	plg	mm	plg	mm	plg	mm	plg	Kg	Kg
203.2 x 63.5	8" x 2 1/2"	228.6	9"	457.2	18"	15.9	5/8"	11.1	7/16"	59	64
203.2 x 76.2	8" x 3"	228.6	9"	457.2	18"	15.9	5/8"	11.1	7/16"	60	65
203.2 x 101.6	8" x 4"	228.6	9"	457.2	18"	15.9	5/8"	12.7	1/2"	63	71
203.2 x 152.4	8" x 6"	228.6	9"	457.2	18"	15.9	5/8"	14.3	9/16"	66	77
203.2 x 203.2	8" x 8"	228.6	9"	457.2	18"	15.9	5/8"	15.9	5/8"	72	88
254.0 x 63.5	10" x 2 1/2"	279.4	11"	558.8	22"	19.1	3/4"	11.1	7/16"	95	100
254.0 x 76.2	10" x 3"	279.4	11"	558.8	22"	19.1	3/4"	11.1	7/16"	96	101
254.0 x 101.6	10" x 4"	279.4	11"	558.8	22"	19.1	3/4"	12.7	1/2"	99	108
254.0 x 152.4	10" x 6"	279.4	11"	558.8	22"	19.1	3/4"	14.3	9/16"	103	115
254.0 x 203.2	10" x 8"	279.4	11"	558.8	22"	19.1	3/4"	15.9	5/8"	108	127
254.0 x 254.0	10" x 10"	279.4	11"	558.8	22"	19.1	3/4"	19.1	3/4"	115	140
304.8 x 76.2	12" x 3"	304.8	12"	609.6	24"	20.6	13/16"	11.1	7/16"	138	141
304.8 x 101.6	12" x 4"	304.8	12"	609.6	24"	20.6	13/16"	12.7	1/2"	142	148
304.8 x 152.4	12" x 6"	304.8	12"	609.6	24"	20.6	13/16"	14.3	9/16"	148	155
304.8 x 203.2	12" x 8"	304.8	12"	609.6	24"	20.6	13/16"	15.9	5/8"	155	167
304.8 x 254.0	12" x 10"	304.8	12"	609.6	24"	20.6	13/16"	19.1	3/4"	164	180
304.8 x 304.8	12" x 12"	304.8	12"	609.6	24"	20.6	13/16"	20.6	13/16"	174	198
355.6 x 76.2	14" x 3"	355.6	14"	711.2	28"	22.2	7/8"	11.1	7/16"	193	199
355.6 x 101.6	14" x 4"	355.6	14"	711.2	28"	22.2	7/8"	12.7	1/2"	197	203
355.6 x 152.4	14" x 6"	355.6	14"	711.2	28"	22.2	7/8"	14.3	9/16"	204	211
355.6 x 203.2	14" x 8"	355.6	14"	711.2	28"	22.2	7/8"	15.9	5/8"	212	224
355.6 x 254.0	14" x 10"	355.6	14"	711.2	28"	22.2	7/8"	19.1	3/4"	223	239
355.6 x 304.8	14" x 12"	355.6	14"	711.2	28"	22.2	7/8"	20.6	13/16"	235	259
355.6 x 355.6	14" x 14"	355.6	14"	711.2	28"	22.2	7/8"	22.2	7/8"	245	274
406.4 x 101.6	16" x 4"	381.0	15"	762.0	30"	25.4	1"	12.7	1/2"	253	261
406.4 x 152.4	16" x 6"	381.0	15"	762.0	30"	25.4	1"	14.3	9/16"	256	268
406.4 x 203.2	16" x 8"	381.0	15"	762.0	30"	25.4	1"	15.9	5/8"	262	279
406.4 x 254.0	16" x 10"	381.0	15"	762.0	30"	25.4	1"	19.1	3/4"	268	292
406.4 x 304.8	16" x 12"	381.0	15"	762.0	30"	25.4	1"	20.6	13/16"	278	312
406.4 x 355.6	16" x 14"	381.0	15"	762.0	30"	25.4	1"	22.2	7/8"	285	326
406.4 x 406.4	16" x 16"	381.0	15"	762.0	30"	25.4	1"	25.4	1"	298	352
457.2 x 101.6	18" x 4"	419.1	16 1/2"	838.2	33"	27.0	1 1/16"	12.7	1/2"	313	322
457.2 x 152.4	18" x 6"	419.1	16 1/2"	838.2	33"	27.0	1 1/16"	14.3	9/16"	316	328
457.2 x 203.2	18" x 8"	419.1	16 1/2"	838.2	33"	27.0	1 1/16"	15.9	5/8"	322	340
457.2 x 254.0	18" x 10"	419.1	16 1/2"	838.2	33"	27.0	1 1/16"	19.1	3/4"	329	354
457.2 x 304.8	18" x 12"	419.1	16 1/2"	838.2	33"	27.0	1 1/16"	20.6	13/16"	339	376
457.2 x 355.6	18" x 14"	419.1	16 1/2"	838.2	33"	27.0	1 1/16"	22.2	7/8"	346	387
457.2 x 406.4	18" x 16"	419.1	16 1/2"	838.2	33"	27.0	1 1/16"	25.4	1"	359	413
457.2 x 457.2	18" x 18"	419.1	16 1/2"	838.2	33"	27.0	1 1/16"	27.0	1 1/16"	365	425

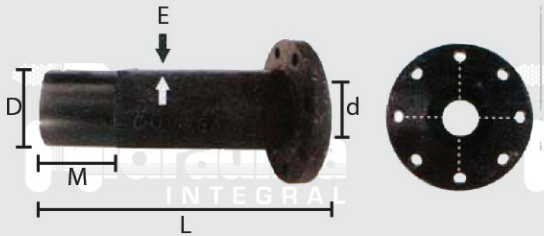


Cruces y Tees

Ø Nominal D x D		Distancias				Espesor de Pared				Peso Aprox	
		L		A		Ø Mayor		Ø Menor		Tees	Cruces
mm	plg	mm	plg	mm	plg	mm	plg	mm	plg	Kg	Kg
508.0 x 101.6	20" x 4"	457.2	18"	914.4	36"	28.6	1 1/8"	12.7	1/2"	398	407
508.0 x 152.4	20" x 6"	457.2	18"	914.4	36"	28.6	1 1/8"	14.3	9/16"	402	414
508.0 x 203.2	20" x 8"	457.2	18"	914.4	36"	28.6	1 1/8"	15.9	5/8"	407	426
508.0 x 254.0	20" x 10"	457.2	18"	914.4	36"	28.6	1 1/8"	19.1	3/4"	415	440
508.0 x 304.8	20" x 12"	457.2	18"	914.4	36"	28.6	1 1/8"	20.6	13/16"	424	459
508.0 x 355.6	20" x 14"	457.2	18"	914.4	36"	28.6	1 1/8"	22.2	7/8"	432	474
508.0 x 406.4	20" x 16"	457.2	18"	914.4	36"	28.6	1 1/8"	25.4	1"	444	499
508.0 x 457.2	20" x 18"	457.2	18"	914.4	36"	28.6	1 1/8"	27.0	1 1/16"	450	511
508.0 x 508.0	20" x 20"	457.2	18"	914.4	36"	28.6	1 1/8"	28.6	1 1/8"	465	540
609.6 x 101.6	24" x 4"	558.8	22"	1117.6	44"	31.8	1 1/4"	12.7	1/2"	626	637
609.6 x 152.4	24" x 6"	558.8	22"	1117.6	44"	31.8	1 1/4"	14.3	9/16"	631	649
609.6 x 203.2	24" x 8"	558.8	22"	1117.6	44"	31.8	1 1/4"	15.9	5/8"	640	665
609.6 x 254.0	24" x 10"	558.8	22"	1117.6	44"	31.8	1 1/4"	19.1	3/4"	650	685
609.6 x 304.8	24" x 12"	558.8	22"	1117.6	44"	31.8	1 1/4"	20.6	13/16"	662	709
609.6 x 355.6	24" x 14"	558.8	22"	1117.6	44"	31.8	1 1/4"	22.2	7/8"	672	730
609.6 x 406.4	24" x 16"	558.8	22"	1117.6	44"	31.8	1 1/4"	25.4	1"	686	758
609.6 x 457.2	24" x 18"	558.8	22"	1117.6	44"	31.8	1 1/4"	27.0	1 1/16"	693	773
609.6 x 508.0	24" x 20"	558.8	22"	1117.6	44"	31.8	1 1/4"	28.6	1 1/8"	714	800
609.6 x 609.6	24" x 24"	558.8	22"	1117.6	44"	31.8	1 1/4"	31.8	1 1/4"	731	848
762.0 x 101.6	30" x 4"	635.0	25"	1270.0	50"	36.5	1 7/16"	12.7	1/2"	994	1005
762.0 x 152.4	30" x 6"	635.0	25"	1270.0	50"	36.5	1 7/16"	14.3	9/16"	999	1016
762.0 x 203.2	30" x 8"	635.0	25"	1270.0	50"	36.5	1 7/16"	15.9	5/8"	1007	1032
762.0 x 254.0	30" x 10"	635.0	25"	1270.0	50"	36.5	1 7/16"	19.1	3/4"	1017	1052
762.0 x 304.8	30" x 12"	635.0	25"	1270.0	50"	36.5	1 7/16"	20.6	13/16"	1029	1076
762.0 x 355.6	30" x 14"	635.0	25"	1270.0	50"	36.5	1 7/16"	22.2	7/8"	1040	1097
762.0 x 406.4	30" x 16"	635.0	25"	1270.0	50"	36.5	1 7/16"	25.4	1"	1053	1124
762.0 x 457.2	30" x 18"	635.0	25"	1270.0	50"	36.5	1 7/16"	27.0	1 1/16"	1060	1138
762.0 x 508.0	30" x 20"	635.0	25"	1270.0	50"	36.5	1 7/16"	28.6	1 1/8"	1074	1165
762.0 x 609.6	30" x 24"	635.0	25"	1270.0	50"	36.5	1 7/16"	31.8	1 1/4"	1098	1213
762.0 x 762.0	30" x 30"	635.0	25"	1270.0	50"	36.5	1 7/16"	36.5	1 7/16"	1134	1287
914.4 x 152.4	36" x 6"	711.2	28"	1422.4	56"	41.3	1 5/8"	14.3	9/16"	1503	1519
914.4 x 203.2	36" x 8"	711.2	28"	1422.4	56"	41.3	1 5/8"	15.9	5/8"	1511	1535
914.4 x 254.0	36" x 10"	711.2	28"	1422.4	56"	41.3	1 5/8"	19.1	3/4"	1520	1555
914.4 x 304.8	36" x 12"	711.2	28"	1422.4	56"	41.3	1 5/8"	20.6	13/16"	1532	1579
914.4 x 355.6	36" x 14"	711.2	28"	1422.4	56"	41.3	1 5/8"	22.2	7/8"	1542	1599
914.4 x 406.4	36" x 16"	711.2	28"	1422.4	56"	41.3	1 5/8"	25.4	1"	1556	1625
914.4 x 457.2	36" x 18"	711.2	28"	1422.4	56"	41.3	1 5/8"	27.0	1 1/16"	1563	1639
914.4 x 508.0	36" x 20"	711.2	28"	1422.4	56"	41.3	1 5/8"	28.6	1 1/8"	1576	1665
914.4 x 609.6	36" x 24"	711.2	28"	1422.4	56"	41.3	1 5/8"	31.8	1 1/4"	1600	1714
914.4 x 762.0	36" x 30"	711.2	28"	1422.4	56"	41.3	1 5/8"	36.5	1 7/16"	1636	1787
914.4 x 914.4	36" x 36"	711.2	28"	1422.4	56"	41.3	1 5/8"	41.3	1 5/8"	1678	1870



Extremidad y Junta Giubault



Diámetro Nominal d		Diámetro Exterior D	Espesor de Pared E		Longitud mm	Long. de Maquinado E		Peso Aprox. kg
mm	plg		mm	plg		mm	plg	
50.8	2"		11.1	7/16"	350	88.9	3 1/2"	8
63.5	2 1/2"		11.1	7/16"	350	88.9	3 1/2"	10
76.2	3"		11.1	7/16"	350	88.9	3 1/2"	12
101.6	4"		12.7	1/2"	400	88.9	3 1/2"	18
152.4	6"	Se surten en diámetros especiales	14.3	9/16"	400	90.5	3 9/16"	28
203.2	8"		15.9	5/8"	400	90.5	3 9/16"	41
254.0	10"	para tuberías: de asbesto cemento	19.1	3/4"	400	122.2	4 13/16"	60
304.8	12"		20.6	13/16"	400	122.2	4 13/16"	80
355.6	14"	clase: A-5, A-7, A-10,	22.2	7/8"	500	122.2	4 13/16"	99
406.4	16"	A-14 de hierro, acero y PVC.	25.4	1"	500	122.2	4 13/16"	152
457.2	18"		27.0	1 1/16"	500	122.2	4 13/16"	176
508.0	20"		28.6	1 1/8"	500	122.2	4 13/16"	210
609.9	24"		31.8	1 1/4"	500	125.4	4 13/16"	280
762.0	30"		36.5	1 7/16"	500	139.7	5 1/2"	402
914.4	36"		41.3	1 5/8"	600	165.1	6 1/2"	644

Diámetro Nominal D		Espesor Min de Brida e		Especificaciones de los tornillos		No. de Tornillos piezas	Peso Aprox. kg.
mm	plg	mm	plg	mm	plg		
50.8	2"	30.2	1 3/16"	11.1 x 101.6	7/16" x 4"	2	2.0
63.5	2 1/2"	28.6	1 1/8"	11.1 x 101.6	7/16" x 4"	2	3.5
76.2	3"	39.7	1 9/16"	12.7 x 101.6	1/2" x 4"	2	4.0
101.6	4"	39.7	1 9/16"	12.7 x 114.3	1/2" x 4 1/2"	3	5.5
152.4	6"	39.7	1 9/16"	12.7 x 139.7	1/2" x 5 1/2"	3	10.5
203.2	8"	39.7	1 9/16"	12.7 x 139.7	1/2" x 5 1/2"	4	15.5
254.0	10"	46.0	1 13/16"	15.9 x 152.4	5/8" x 6"	4	20.0
304.8	12"	46.0	1 13/16"	15.9 x 165.1	5/8" x 6 1/2"	4	25.0
355.6	14"	47.6	1 7/8"	15.9 x 177.8	5/8" x 7"	6	41.5
406.4	16"	50.8	2"	15.9 x 177.8	5/8" x 7"	6	46.0
457.2	18"	54.0	2 1/8"	15.9 x 190.5	5/8" x 7 1/2"	8	62.0
508.0	20"	55.6	2 3/16"	15.9 x 203.2	5/8" x 8"	8	73.0
609.6	24"	57.2	2 1/4"	15.9 x 203.2	5/8" x 8"	8	100.0
762.0	30"	63.5	2 1/2"	15.9 x 228.6	5/8" x 9"	12	130.0
914.4	36"	73.0	2 7/8"	15.9 x 279.4	5/8" x 11"	12	180.0



Junta Giubault



Tornillos con tuercas

Empaques

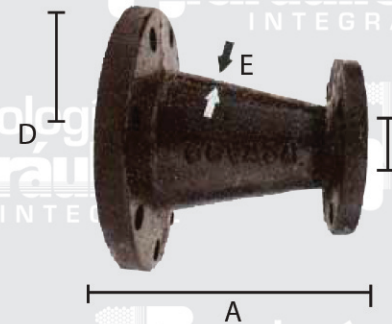
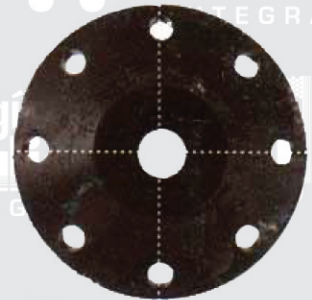


Reducción

Ø Nominal D x d		Distancias						Espesor de Pza E		Peso Aprox
		A		a		b				
mm	plg	mm	plg	mm	plg	mm	plg	mm	plg	Kg
63.5 x 50.8	2 1/2" x 2"	139.7	5 1/2"	31.8	1 1/4"	31.8	1 1/4"	11.1	7/16"	6.7
76.2 x 50.8	3" x 2"	152.4	6"	38.1	1 1/2"	38.1	1 1/2"	11.1	7/16"	7
76.2 x 53.5	3" x 2 1/2"	152.4	6"	38.1	1 1/2"	38.1	1 1/2"	11.1	7/16"	8
101.6 x 50.8	4" x 2"	177.8	7"	38.1	1 1/2"	38.1	1 1/2"	12.7	1/2"	11
101.6 x 63.5	4" x 2 1/2"	177.8	7"	38.1	1 1/2"	38.1	1 1/2"	12.7	1/2"	12
101.6 x 76.2	4" x 3"	177.8	7"	38.1	1 1/2"	38.1	1 1/2"	12.7	1/2"	13
152.4 x 50.8	6" x 2"	228.6	9"	50.8	2"	38.1	1 1/2"	14.3	9/16"	17
152.4 x 63.5	6" x 2 1/2"	228.6	9"	50.8	2"	38.1	1 1/2"	14.3	9/16"	18
152.4 x 76.2	6" x 3"	228.6	9"	50.8	2"	38.1	1 1/2"	14.3	9/16"	19
152.4 x 101.6	6" x 4"	228.6	9"	50.8	2"	38.1	1 1/2"	14.3	9/16"	22
203.2 x 50.8	8" x 2"	279.4	11"	50.8	2"	38.1	1 1/2"	15.9	5/8"	26
203.2 x 63.5	8" x 2 1/2"	279.4	11"	50.8	2"	38.1	1 1/2"	15.9	5/8"	28
203.2 x 76.2	8" x 3"	279.4	11"	50.8	2"	38.1	1 1/2"	15.9	5/8"	29
203.2 x 101.6	8" x 4"	279.4	11"	50.8	2"	38.1	1 1/2"	15.9	5/8"	32
203.2 x 152.4	8" x 6"	279.4	11"	50.8	2"	50.8	2"	15.9	3/4"	36
254.0 x 76.2	10" x 3"	304.8	12"	50.8	2"	38.1	1 1/2"	19.1	3/4"	40
254.0 x 101.6	10" x 4"	304.8	12"	50.8	2"	38.1	1 1/2"	19.1	3/4"	43
254.0 x 152.4	10" x 6"	304.8	12"	50.8	2"	50.8	2"	19.1	3/4"	47
254.0 x 203.2	10" x 8"	304.8	12"	50.8	2"	50.8	2"	19.1	13/16"	54
304.8 x 76.2	12" x 3"	355.6	14"	50.8	2"	38.1	1 1/2"	20.6	13/16"	57
304.8 x 101.6	12" x 4"	355.6	14"	50.8	2"	38.1	1 1/2"	20.6	13/16"	61
304.8 x 152.4	12" x 6"	355.6	14"	50.8	2"	50.8	2"	20.6	13/16"	66
304.8 x 203.2	12" x 8"	355.6	14"	50.8	2"	50.8	2"	20.6	13/16"	73
304.8 x 254.0	12" x 10"	355.6	14"	50.8	2"	50.8	2"	20.6	13/16"	81
355.6 x 101.6	14" x 4"	406.4	16"	50.8	2"	38.1	1 1/2"	22.2	7/8"	79
355.6 x 152.4	14" x 6"	406.4	16"	50.8	2"	50.8	2"	22.2	7/8"	84
355.6 x 203.2	14" x 8"	406.4	16"	50.8	2"	50.8	2"	22.2	7/8"	93
355.6 x 254.0	14" x 10"	406.4	16"	50.8	2"	50.8	2"	22.2	7/8"	101
355.6 x 304.8	14" x 12"	406.4	16"	50.8	2"	50.8	2"	22.2	7/8"	113
406.4 x 101.6	16" x 4"	457.2	18"	50.8	2"	38.1	1 1/2"	25.4	1"	106
406.4 x 152.4	16" x 6"	457.2	18"	50.8	2"	50.8	2"	25.4	1"	113
406.4 x 203.2	16" x 8"	457.2	18"	50.8	2"	50.8	2"	25.4	1"	123
406.4 x 254.0	16" x 10"	457.2	18"	50.8	2"	50.8	2"	25.4	1"	132



Reducción



Reducción



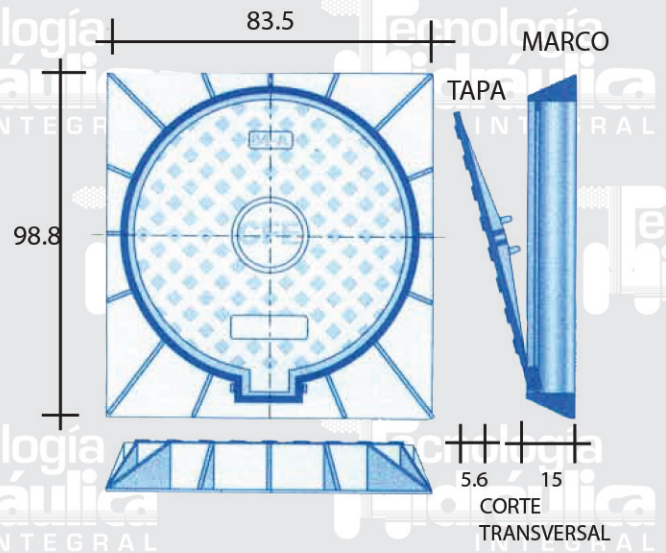
Reducción

Ø Nominal D x d		Distancias						Espesor de Pza E		Peso Aprox
mm	plg	A		a		b		mm	plg	Kg
406.4 x 304.8	16" x 12"	457.2	18"	50.8	2"	50.8	2"	25.4	1"	146
406.4 x 355.6	16" x 14"	457.2	18"	50.8	2"	50.8	2"	25.4	1"	156
457.2 x 101.6	18" x 4"	482.6	19"	50.8	2"	38.1	1 1/2"	27.0	1 1/16"	124
457.2 x 152.4	18" x 6"	482.6	19"	50.8	2"	50.8	2"	27.0	1 1/16"	131
457.2 x 203.2	18" x 8"	482.6	19"	50.8	2"	50.8	2"	27.0	1 1/16"	141
457.2 x 254.0	18" x 10"	482.6	19"	50.8	2"	50.8	2"	27.0	1 1/16"	152
457.2 x 304.8	18" x 12"	482.6	19"	50.8	2"	50.8	2"	27.0	1 1/16"	166
457.2 x 355.6	18" x 14"	482.6	19"	50.8	2"	50.8	2"	27.0	1 1/16"	177
457.2 x 406.4	18" x 16"	482.6	19"	50.8	2"	50.8	2"	27.0	1 1/16"	191
508.0 x 152.4	20" x 6"	508.0	20"	76.2	3"	50.8	2"	28.6	1 1/8"	161
508.0 x 203.3	20" x 8"	508.0	20"	76.2	3"	50.8	2"	28.6	1 1/8"	172
508.0 x 254.0	20" x 10"	508.0	20"	76.2	3"	50.8	2"	28.6	1 1/8"	183
508.0 x 304.8	20" x 12"	508.0	20"	76.2	3"	50.8	2"	28.6	1 1/8"	198
508.0 x 355.6	20" x 14"	508.0	20"	76.2	3"	50.8	2"	28.6	1 1/8"	209
508.0 x 406.4	20" x 16"	508.0	20"	76.2	3"	50.8	2"	28.6	1 1/8"	223
508.0 x 457.2	20" x 18"	508.0	20"	76.2	3"	50.8	2"	28.6	1 1/8"	232
609.6 x 203.2	24" x 8"	609.6	24"	76.2	3"	50.8	2"	31.8	1 1/4"	252
609.6 x 254.0	24" x 10"	609.6	24"	76.2	3"	50.8	2"	31.8	1 1/4"	266
609.6 x 304.8	24" x 12"	609.6	24"	76.2	3"	50.8	2"	31.8	1 1/4"	283
609.6 x 355.6	24" x 14"	609.6	24"	76.2	3"	50.8	2"	31.8	1 1/4"	297
609.6 x 406.4	24" x 16"	609.6	24"	76.2	3"	50.8	2"	31.8	1 1/4"	313
609.6 x 457.2	24" x 18"	609.6	24"	76.2	3"	50.8	2"	31.8	1 1/4"	325
609.6 x 508.0	24" x 20"	609.6	24"	76.2	3"	76.2	3"	31.8	1 1/4"	343
762.0 x 304.8	30" x 12"	762.0	30"	76.2	3"	50.8	2"	36.5	1 7/16"	450
762.0 x 355.6	30" x 14"	762.0	30"	76.2	3"	50.8	2"	36.5	1 7/16"	469
762.0 x 406.4	30" x 16"	762.0	30"	76.2	3"	50.8	2"	36.5	1 7/16"	490
762.0 x 457.2	30" x 18"	762.0	30"	76.2	3"	50.8	2"	36.5	1 7/16"	506
762.0 x 508.0	30" x 20"	762.0	30"	76.2	3"	76.2	3"	36.5	1 7/16"	527
762.0 x 609.6	30" x 24"	762.0	30"	76.2	3"	76.2	3"	36.5	1 7/16"	573
914.4 x 457.2	36" x 18"	914.4	34"	76.2	3"	50.8	2"	41.3	1 5/8"	756
914.4 x 508.0	36" x 20"	914.4	34"	76.2	3"	76.2	3"	41.3	1 5/8"	779
914.4 x 609.6	36" x 24"	914.4	34"	76.2	3"	76.2	3"	41.3	1 5/8"	836
914.4 x 762.0	36" x 30"	914.4	34"	76.2	3"	76.2	3"	41.3	1 5/8"	927

Brocal CFE 84 - A y 84 - B



Brocal CFE 84-A

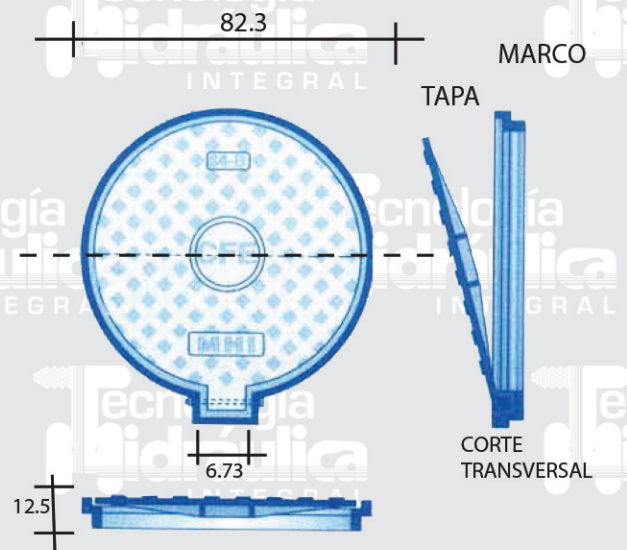


MARCO: PESO APROX.: 105 kg.

TAPA: PESO APROX.: 75 kg.



Brocal CFE 84-B



MARCO: PESO APROX.: 43 kg.

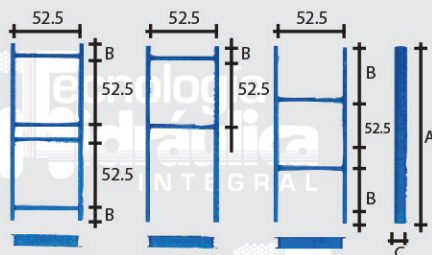
TAPA: PESO APROX.: 60 kg.

Contramarcos / Escalones para Pozo de visita

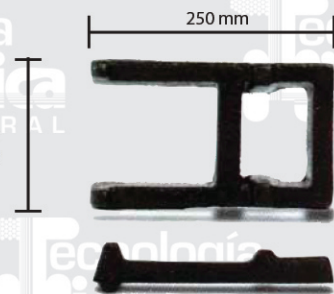
Tornillos y Tuercas para Bridas

Caja Tipo No.	Diámetro de Válvulas plg	Cant. de Válvulas	Contramarcos			Cant.
			Centrado	Descentrado	Doble	
1	2" y 2 1/2"	1	90			1
2	3" a 6"	1	110			1
3	8" a 14"	1	140			1
4	18" y 20"	1	180			1
5	2" a 6"	2	110		180	2
6	6" y 8"	2				1
7	10" a 14"	2	180			2
8	14" a 18"	2	180			2
9	2" a 6"	2		140		2
10	6" a 10"	2		140		2
11	10" a 14"	2		180		2
12	2" a 6"	3	180		180	2
13	8" a 18"	3		180		3

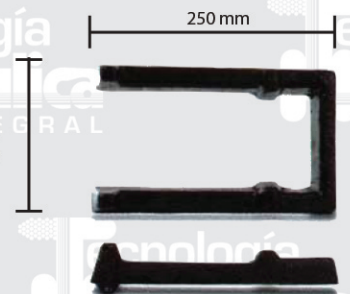
Tipo	Peralte canal plg	A	B	Peso
		mm	mm	Kg
Sencillo Centrado	4"	900	187.5	23
	4"	1050	262.5	25
	4"	1100	287.5	26
	4"	1300	387.5	29
	4"	1400	437.5	31
	4"	1800	637.5	37
	4"	2100	787.5	42
	6"	1400	437.5	47
Sencillo Descentrado	6"	1800	637.5	57
	6"	2100	787.5	64
	4"	1400	250.0	31
	4"	1800	250.0	37
Doble	4"	2100	250.0	42
	6"	1400	250.0	47
	4"	1400	117.5	39
	4"	1800	250.0	46
	4"	2100	250.0	51
6"	1550	127.5	63	
6"	1800	250.0	70	
6"	2100	250.0	77	



DOBLE
SENCILLO DESCENTRADO
SENCILLO CENTRADO
contramarcos



Escalón D.D.F.
Peso: 2.5 Kg

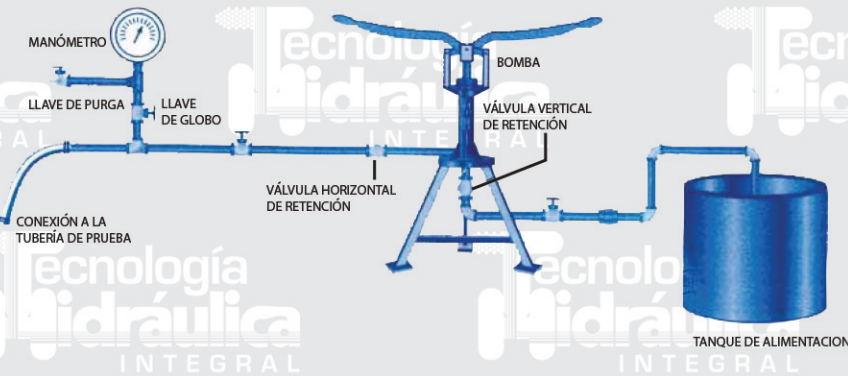


Escalón Standard
Peso: 2.5 Kg

Diámetro Nominal plg	Especificación de Tornillos	Cant. x Brida
2"	5/8" x 2 1/2"	4
2"	5/8" x 2 1/2"	4
3"	5/8" x 3"	4
4"	5/8" x 3"	8
6"	3/4" x 3 1/2"	8
8"	3/4" x 3 1/2"	8
10"	3/4" x 4"	12
12"	3/4" x 4"	12

Diámetro Nominal plg	Especificación de Tornillos	Cant. x Brida
14"	7/8" x 4"	16
16"	1" x 4 1/2"	16
18"	1 1/8" x 5"	18
20"	1 1/8" x 5"	20
24"	1 1/4" x 5 1/2"	20
30"	1 1/4" x 6 1/2"	28
36"	1 1/2" x 7"	32

Bomba de Prueba / Campana de Operación



Campana de Operación

Accesorios para su instalación

Toma		Descarga	
1 Reducción Bushing de 1 1/2" a 3/4"		1 Reducción Bushing de 1" a 1/2"	
1 Niple c/c 3/4"		1 Niple c/c 1/2"	
1 válvula check vertical 3/4"		1 válvula check horizontal 1/2"	
1 Niple 3/4" x 4"		1 Tee 1/2"	
1 Codo 3/4" x 90°		1 Reducción Bushing de 1/2" a 3/8"	
1 Niple 3/4" x 5"		1 Niple 3/8" x 5"	
para conectar a manguera de alimentación		1 Niple 3/8" x 2"	
		1 Tee 3/8"	
		1 Reducción Bushing de 3/8" a 1/4"	
		1 LLave de purga	
		2 LLaves de Globo de 1/2" a 3/8"	
		2 Manómetro de 0 a 21 kg/cm ³	
		1 Niple 1/2" x 5" para conectar manguera de prueba.	



Campana								Peso
mm	plg	a	b	c	d	e	f	Kg
76 a 152	3" a 6"	110	220	330	390	152	230	34
203 a 254	8" a 10"	130	345	400	490	254	340	50

Tabla de milimetraje para extremidades y juntas Giubault

mm	plg	Pieza	PVC mm	PVC inglés	Acero	ASBESTOLIT				MEXALIT				EUREKA			
						A-5	A-7	A-10	A-14	A-5	A-7	A-10	A-14	A-5	A-7	A-10	A-14
50	2"	Extremidad	50	60										70	70	70	70
50	2"	J. Giubalt	55	65										75	75	75	75
63	2 1/2"	Extremidad	63	73	73									80	80	80	80
63	2 1/2"	J. Giubalt	65	75	75									85	85	90	90
76	3"	Extremidad	80	90	90	100	100	105	110	90	90	95	105	100	100	100	110
76	3"	J. Giubalt	85	95	95	105	105	110	115	95	95	100	110	105	105	105	115
101	4"	Extremidad	100	114	114	120	120	125	135	115	120	125	130	120	120	125	130
101	4"	J. Giubalt	105	115	115	125	130	130	140	120	125	130	135	125	125	130	135
152	6"	Extremidad	160	168	168	170	175	180	190	170	175	175	190	170	175	180	190
152	6"	J. Giubalt	165	175	175	175	180	185	195	175	180	180	195	175	180	185	195
203	8"	Extremidad	200	220	220	225	230	235	250	225	225	230	245	225	230	235	250
203	8"	J. Giubalt	205	225	225	230	235	240	255	230	230	235	250	230	235	240	255
254	10"	Extremidad	250		270	280	285	290	305	280	285	300	310	280	290	300	315
254	10"	J. Giubalt	255		275	285	290	295	310	285	290	305	315	285	295	305	320
304	12"	Extremidad	315		325	330	340	350	370	330	340	355	370	335	345	360	375
304	12"	J. Giubalt	320		330	335	345	355	375	335	345	360	375	350	350	365	380
355	14"	Extremidad	355		355	390	400	420	435	390	395	415	430	390	400	415	435
355	14"	J. Giubalt	360		360	395	405	425	440	395	400	420	440	395	405	420	440
406	16"	Extremidad	400		405	445	455	475	495	440	450	470	490	445	455	475	495
406	16"	J. Giubalt	405		410	450	460	480	500	445	455	475	500	450	460	480	500
457	18"	Extremidad	450		455	500	515	535	555	495	505	525	560	500	510	535	555
457	18"	J. Giubalt	455		460	505	520	540	565	500	510	530	565	505	515	540	560
508	20"	Extremidad	500		510	545	555	580	620	550	565	595	630	555	565	590	620
508	20"	J. Giubalt	505		515	550	560	585	625	555	570	600	635	560	570	600	625
609	24"	Extremidad	630		610	655	670	700	745	655	675	710	760				
609	24"	J. Giubalt	635		615	660	675	710	750	660	685	720	765				
762	30"	Extremidad			765	820	835	875	930	815	845	890					
762	30"	J. Giubalt			770	825	840	880	935	825	855	900					
914	36"	Extremidad			915	980	1000	1050	1115	980	1015	1070					
914	36"	J. Giubalt			925	990	1005	1055	1120	985	1020	1080					

Brocal ciego, de Rejilla y Marco con tapa Dúctil



Brocal con Rejilla para Pozo de vista con tapa dúctil

A.- Diámetro de Tapa	600 mm
B.- Diámetro de Anillita	695 mm
C.- Altura Total	105 mm
Peso	60 kgs

Brocal ciego para pozo de visita con tapa dúctil

A.- Diámetro de Tapa	600 mm
B.- Diámetro de Anillita	695 mm
C.- Altura Total	105 mm
Peso	60 kgs

Marco con tapa dúctil para operación de válvulas

A.- Ancho del Marco	630 mm
B.- Largo del Marco	540 mm
C.- Ancho de la Tapa	590 mm
D.- Largo de la Tapa	500 mm
E.- Altura Total	65 mm
Peso	60 kgs

Características

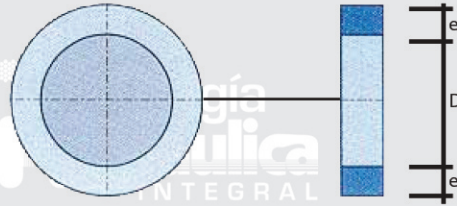
- Resistente a todo tipo de tráfico
- Reemplaza los brocales, ligero, mediano y pesado de hierro gris
- Permite un manejo más fácil por su peso
- Tornillo de seguridad para evitar robos
- Cumple con la norma ASTM 65 - 45 - 12 perno de acero G - 5 soldado
- Modelo único que evita inventarios

Propiedades Mecánicas

- Resistencia elástica de hasta 48,000 lb/plg²
- Resistencia de hasta 70,000 lb/plg²
- Tapa dúctil de hierro, anillita de hierro gris

Empaque de Hule de Junta Giubault

Empaque de Plomo para Bridas



Empaque de Hule



Empaque de Plomo

Nominal D		Tipos de Empaque		
mm	plg	mm	mm	mm
50.8	2"	10.8		
63.5	2 1/2"	11.6	14.2	
76.2	3"	12.4	14.2	15.8
101.6	4"	13.2	15.9	17.1
152.4	6"	13.2	15.9	19.5
203.2	8"	13.2	17.1	20.0
254.0	10"	13.2	17.1	20.9
304.8	12"	14.8	17.1	23.9
355.6	14"	15.3	19.1	23.9
406.4	16"	17.1	19.1	23.9
457.2	18"	17.9	19.1	26.7
508.0	20"	17.9	19.1	26.7
609.9	24"	17.9	22.2	27.9
762.0	30"		24.2	
914.4	36"		24.2	

Diámetro Nominal		Diámetro Interior d		Diámetro Exterior D		Espe- sor e	Ancho corrugado y Altura bxn	Sep. Corrug.
mm	plg	mm	plg	mm	plg	mm	mm	mm
50.8	2"	54.0	2 1/8"	104.8	4 1/8"	2	1.5 x 0.75	9.0
63.5	2 1/2"	66.7	2 5/8"	123.8	4 7/8"	2	1.5 x 0.75	10.0
76.2	3"	79.4	3 1/8"	136.5	5 3/8"	2	1.5 x 0.75	10.0
101.6	4"	104.8	4 1/8"	174.6	6 7/8"	2	1.5 x 0.75	12.0
152.4	6"	155.6	6 1/8"	222.3	8 3/4"	2	1.5 x 0.75	11.0
203.2	8"	206.4	8 1/8"	279.4	11"	3	1.5 x 0.75	12.0
254.0	10"	257.2	10 1/8"	339.7	13 3/8"	3	2.0 x 1.00	10.0
304.8	12"	308.0	12 1/8"	409.6	16 1/8"	3	2.0 x 1.00	12.5
355.6	14"	358.8	14 1/8"	450.9	17 3/4"	4	2.0 x 1.00	11.5
406.4	16"	409.6	16 1/8"	514.4	20 1/4"	4	2.0 x 1.00	13.0
457.2	18"	460.4	18 1/8"	549.3	21 5/8"	5	2.0 x 1.00	11.0
508.0	20"	511.2	20 1/8"	606.4	23 7/8"	5	2.0 x 1.00	12.0
609.6	24"	612.8	24 1/8"	717.6	28 1/4"	5	2.5 x 1.25	13.0
762.0	30"	774.7	30 1/8"	882.7	34 3/4"	5	2.5 x 1.25	14.0
914.4	36"	917.6	36 1/8"	1047.8	41 1/4"	5	2.5 x 1.25	16.0
1219.2	48"	1222.3	48 1/8"	1403.4	55 1/4"	5	2.5 x 1.25	16.0